



Technical Specification for Optical Transceiver Module

SCM6102-GL

- | | | |
|--|---|--|
| <input type="checkbox"/> 155.52Mb/s | <input checked="" type="checkbox"/> 622.08Mb/s | <input type="checkbox"/> other _____ |
| <input checked="" type="checkbox"/> Short Haul | <input type="checkbox"/> Long Haul | <input type="checkbox"/> other _____ |
| <input type="checkbox"/> Intermediate Reach | <input checked="" type="checkbox"/> Long Reach | <input type="checkbox"/> other _____ |
| <input type="checkbox"/> Single 5.0 V | <input checked="" type="checkbox"/> Single 3.3 V | <input type="checkbox"/> other _____ |
| <input checked="" type="checkbox"/> 1.3 μm | <input type="checkbox"/> 1.55 μm | <input type="checkbox"/> other _____ |
| <input type="checkbox"/> Transmitter | <input type="checkbox"/> Receiver | <input checked="" type="checkbox"/> Transceiver |
| | (<input type="checkbox"/> 2R / <input type="checkbox"/> 3R) | (<input type="checkbox"/> 2R / <input checked="" type="checkbox"/> 3R) |



Sumitomo Electric reserves the right to make changes in this specification without prior notice.

#Safety Precaution **Symbols** This specification uses various picture symbols to prevent possible injury to operator or other persons or damage to properties for appropriate use of the product. The symbols and definitions are as shown below. Be sure to be familiar with these symbols before reading this specification.

	Warning Wrong operation without following this instruction may lead to human death or serious injury.
	Caution Wrong operation without following this instruction may lead to human injury or property damage.

Example of picture symbols

indicates prohibition of actions. Action details are explained thereafter.

indicates compulsory actions or instructions. Action details are explained thereafter.

1. General

Features of SCM6102-GL are listed below.

- * SDH STM-4 S-4.1 / SONET OC-12 IR-1 Compliant
- * Power Supply Voltage Single +3.3V
- * Compact Package Size 49.0 X 13.59 X 9.4 mm
- * Electrical Interface LVPECL for DATA, LVTTTL for Signal Detect and Laser Disable
- * Fiber Coupled Power -8 ~ -15dBm (Typ. -11dBm) into SMF
- * Input Power Range -8 ~ -28dBm (Typ. Sensitivity -33dBm)
- * Monitor Functions Laser Bias Monitor, Rear Facet Monitor
- * Laser Disable Function
- * Signal Detect (SD) Function
- * Connector Interface LC Duplex Receptacle

2. Block Diagram

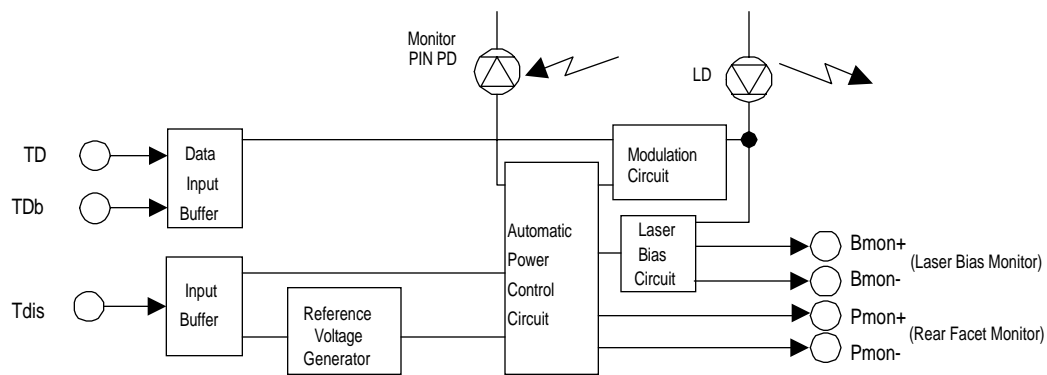


Figure 1-1. Block Diagram (Transmitter)

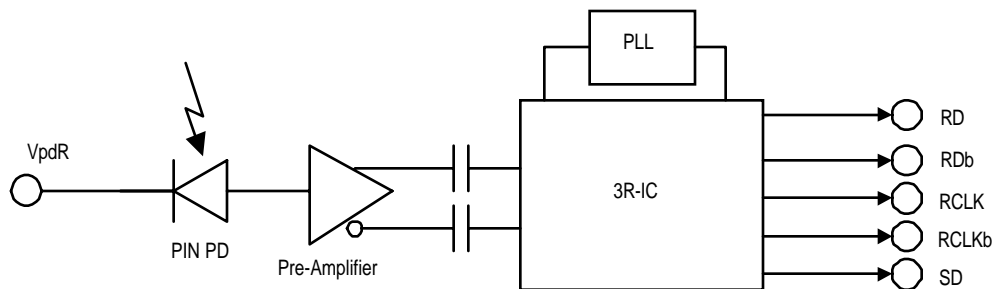


Figure 1-2 Block Diagram (Receiver)

Caution



Do not disassemble this product. Otherwise, failure, electrical shock, overheating or fire may occur.
Handle the lead pins carefully. Use assisting tools or prospective aids as required. A lead pin may injure skin or human body

3. Package Dimension

All dimensions are in mm.

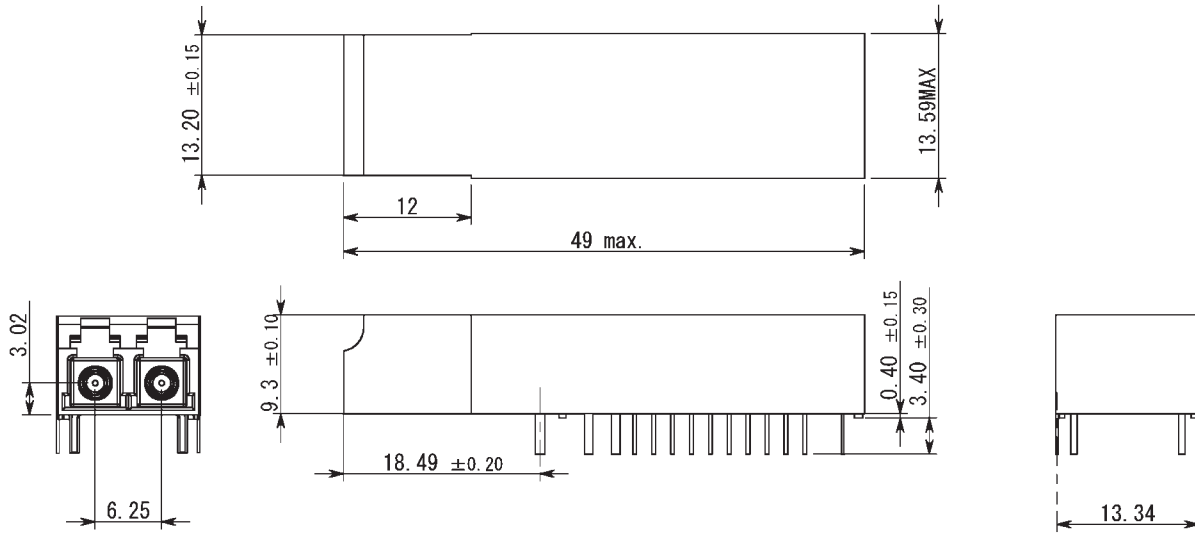


Figure 2-1. Outline Dimensions (SCM6102-GL-ZN)

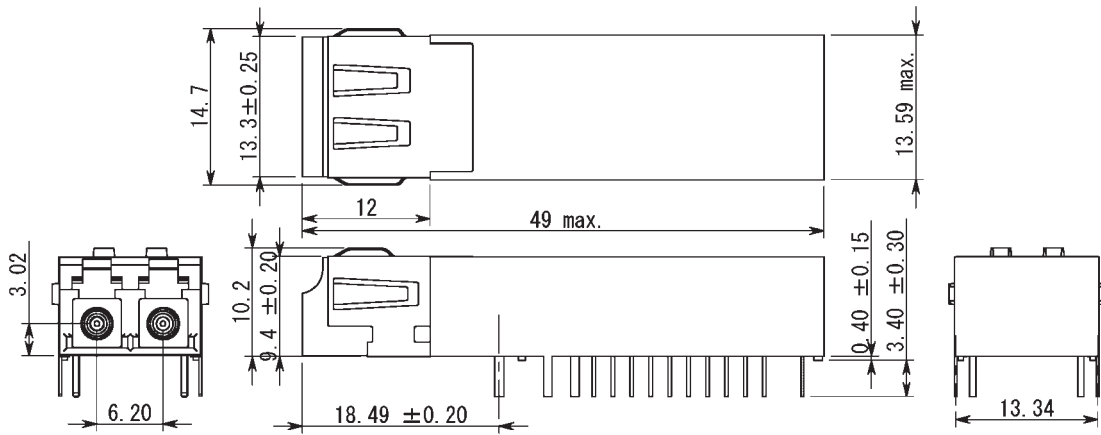


Figure 2-2. Outline Dimensions (SCM6102-GL-CN)

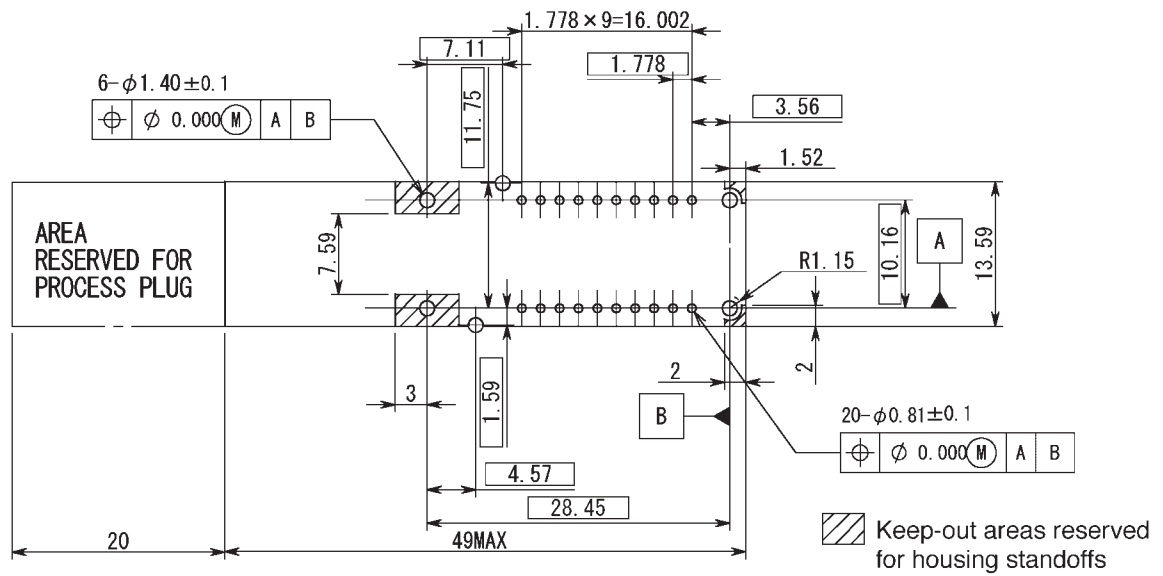


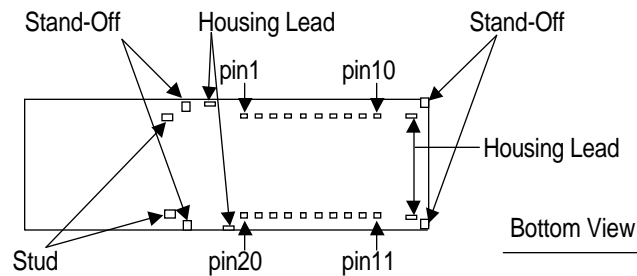
Figure 2-3. Recommended Footprint

4. Pin Assignment

No.	Symbol	I/O/P	Level	Description
1	VpdR	P	+3.3V DC	DC Bias Supply for Receiver PIN-PD.
2	VeeR	P	GND	Power Supply (-) for Receiver.
3	VeeR	P	GND	Power Supply (-) for Receiver.
4	RCLKb	O	LVPECL	Recovered Clock Output. Inverted.
5	RCLK	O	LVPECL	Recovered Clock Output. Non-inverted.
6	VeeR	P	GND	Power Supply (-) for Receiver.
7	VccR	P	+3.3V DC	Power Supply (+) for Receiver.
8	SD	O	LVTTTL	Signal Detect. High level indicates presence of optical input signal (Active High).
9	RDb	O	LVPECL	Inverted Receiver Output Data. No internal terminations are provided.
10	RD	O	LVPECL	Non-Inverted Receiver Output Data. No internal terminations are provided.
11	VccT	P	+3.3V DC	Power Supply (+) for Transmitter.
12	VeeT	P	GND	Power Supply (-) for Transmitter.
13	Tdis	I	LVTTTL/LVCMOS	Transmitter Disable (Active High). Defaults to logic 0 (enable TX) when left open.
14	TD	I	LVPECL	Non-Inverted Transmitter Input Data. Self biased. Not internally terminated.
15	TDb	I	LVPECL	Inverted Transmitter Input Data. Self biased. Not internally terminated.
16	VeeT	P	GND	Power Supply (-) for Transmitter.
17	Bmon-	O	Analog Voltage	LD Bias Current Monitor. Voltage difference between pins 17 and 18 is proportional to the laser bias current.
18	Bmon+	O		
19	Pmon-	O	Analog Voltage	Rear Facet Monitor. Transmitter output power can be monitored, in terms of rear facet monitor PD current, by measuring voltage difference between pins 19 and 20.
20	Pmon+	O		

Notes:

1. I/O/P stands for signal input, signal output, and DC power/bias supply, respectively.
2. Refer to figure 3 for details of Bmon and Pmon outputs.



5. Absolute Maximum Ratings

Parameter	Symbol	min.	Max	Unit	Note
Storage Case Temperature	Ts	-40	85	°C	1
Operating Case Temperature	Tc	-5	70	°C	
Supply Voltage	Vcc-Vee	0.0	4.0	V	2
Input Voltage	Vi	Vee	Vcc+0.5	V	3
Lead Soldering Conditions	Temperature		260	°C	4
		Time	10	sec.	

Notes:

1. No condensation allowed.
2. Vcc>Vee, Vcc=+3.3V, Vee=GND
3. TD, TDb, Tdis
4. Measured on lead pin at 2mm (0.079in.) off the package bottom

⚠ Warning

ⓘ Use the product with the rated voltage described in the specification. If the voltage exceeds the maximum rating, overheating or fire may occur.

⚠ Caution

ⓘ Do not store the product in the area where temperature exceeds the maximum rating, where there is too much moisture or dampness, where there is acid gas or corrosive gas, or other extreme conditions. Otherwise, failure, overheating or fire may occur.

6. Electrical Interface

(Unless otherwise specified, $V_{cc}-V_{ee} = 3.14$ to 3.47 V and all operating temperature shall apply.)

6-1. Transmitter side

Parameter	Symbol	min.	Typ.	Max.	Unit	Note
Supply Voltage	$V_{cc}-V_{ee}$	3.14	3.30	3.47	V	
Supply Current	I_{dtx}		70	140	mA	1, 2, 3
TD, TDb Input Voltage	High	V_{ih}	$V_{cc}-1.17$	$V_{cc}-0.73$	V	4, 5
	Low	V_{il}	$V_{cc}-1.95$	$V_{cc}-1.45$	V	
TD, TDb Input Current	High	I_{ih}	-10	150	μ A	4, 5
	Low	I_{il}	-10	10	μ A	
Signal Input Rise / Fall Time				1.5	nsec.	6
Tdis Input Voltage	High	V_{di}	$V_{ee}+2.0$	V_{cc}	V	7
	Low	V_{ei}	V_{ee}	$V_{ee}+0.8$	V	
Tdis Input Current	High	I_{di}	-10	140	μ A	
LD Bias Monitor Voltage	V_{bm}	0.01	0.05	0.50	V	5, 8

Notes:

- Input bias current is not included.
- 50% duty cycle data.
- 622.08Mbps, PRBS2²³-1, NRZ.
- $V_{cc}-V_{ee}=3.3$ V.
- $T_c=25^\circ$ C.
- 20-80%.
- Refer to Section 8, "Relation between Disable Input Voltage and Optical Output Power", for detail.
- The Laser Bias Monitor Current and Rear Facet Monitor Current are calculated as ratios between the corresponding voltages and current sensing resistors, 10Ω and 200Ω , as shown in the figure 3.

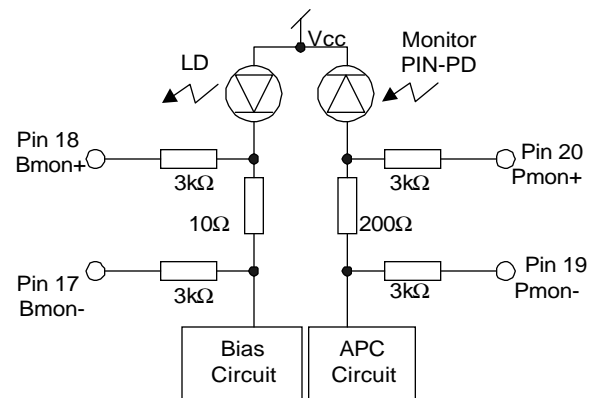


Figure 3 Bmon and Pmon Interface

6-2. Receiver side

Parameter	Symbol	Min.	Typ.	Max.	Unit	Note	
Power Supply Voltages	V_{CC}	3.135	3.3	3.465	V		
Power Supply Current	I_{CC}	-	-	200	mA	1	
RD, RDb, RCLK, RCLKb	Low	V_{OL}	$V_{CC}-1.88$	-	$V_{CC}-1.62$	V	2, 3
Output Voltage	High	V_{OH}	$V_{CC}-1.20$	-	$V_{CC}-0.83$	V	
SD Output Voltage	Low	V_{ee}		0.800	V	2	
	High	2.400		V_{CC}	V		
Output Transition Time	t_i	-	-	0.4	ns	4	
Clock Sampling Point	T_{CSP}	0.55	0.65	0.75	ns	5	
Clock Duty Cycle		45		55	%		
Output Clock Random Jitter	J_C		3.2	3.6	deg rms		
Output Clock Jitter Peaking	J_P			0.1	dB		
SD Assert Time	T_a	2.3		100	μ s	6	
SD Deassert Time	T_d	2.3		100	μ s		

Notes:

1. Output current is not included. 622.08Mbps, PRBS2²³-1, NRZ.
2. $V_{CC}=+3.3V$, $T_c=25^\circ C$.
3. $R_l=50\Omega$ to $V_{CC}-2V$.
4. 20-80%. Input capacitance and stray capacitance of measuring devices should be less than 2pF.
5. Time difference between RD transition and rising edge of RCLK. Refer to Figure 4.
6. 622.08Mbps, PRBS2²³-1, NRZ.

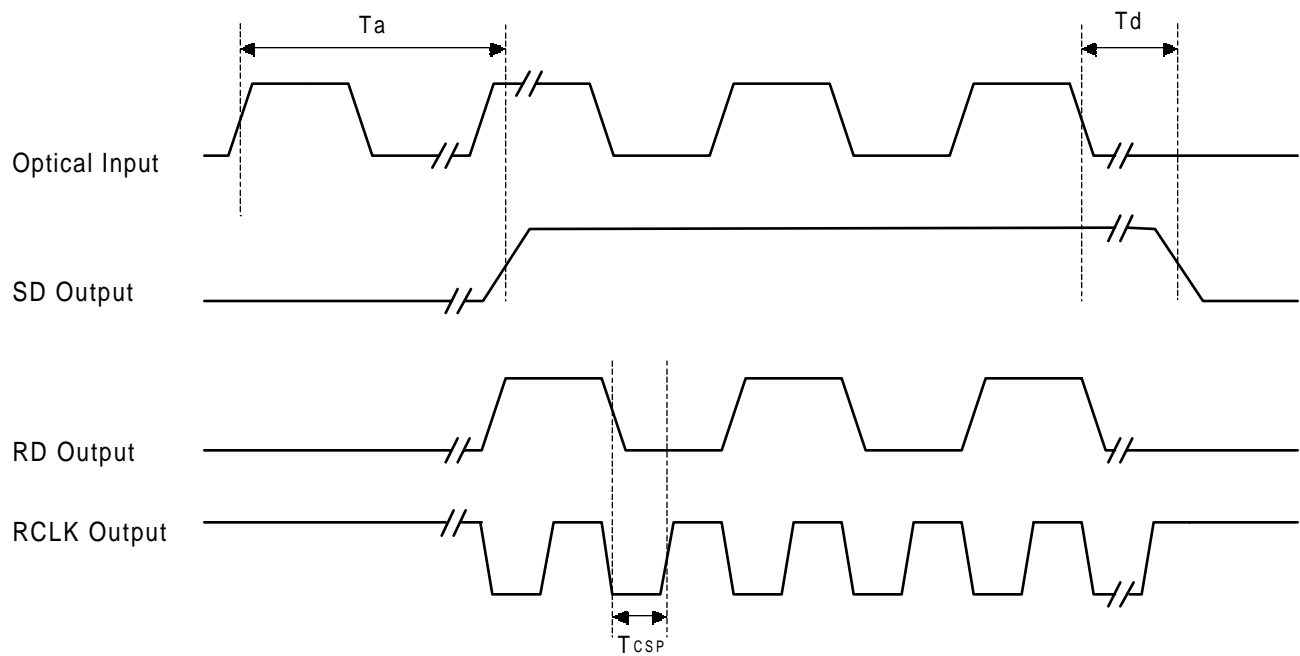


Figure 4 Timing Chart

7. Optical Interface

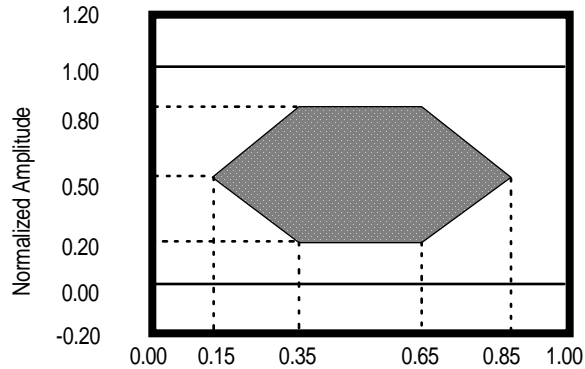
(Unless otherwise specified, Vcc-Vee = 3.14 to 3.47 V and all operating temperature shall apply.)

7-1. Transmitter side

Parameter	Symbol	min.	Typ.	Max.	Unit	Note
Average Output Power	Po	-15.0	-11.0	-8.0	dBm	1
Extinction Ratio	Er	8.2			dB	1
Center Wavelength	λ_c	1274		1356	nm	
Spectral Width (RMS)	$\Delta\lambda$			2.5	nm	
Eye Mask for Optical Output	Refer to Figure 4					

Notes:

1. Measured at 622.08Mbps PRBS2²³-1



Relation between Input Signal and Optical Output Signal

Input Signal		Optical Output Signal
TD	TDb	
High	Low	ON (High)
Low	High	OFF (Low)
High	High	Undefined
Low	Low	Undefined

Figure 5 Optical Pulse Mask with Fourth Order Bessel-Thomson Filter Specified in ITU-T G.957

⚠ Warning



Do not look at the laser beam projection area (e.g. end of optical connector) with naked eyes or through optical equipment while the power is supplied to this product. Otherwise, your eyes may be injured.

7-2. Receiver side

Parameter	Symbol	min.	Typ.	Max.	Unit	Note
Optical Input Wavelength	-	1261		1580	nm	
Minimum Sensitivity	Pmin		-33.0	-28.0	dBm	1, 2
Overload	Pmax	-8			dBm	1, 2
SD Assert Level	Pa			-33	dBm	2
SD Deassert Level	Pd	-39	-36		dBm	
SD Hysteresis	Phys	1.5		6	dB	

Notes:

1. BER=10⁻¹⁰

2. Measured at the bit rate of 622.08Mbps, PRBS 2²³-1, NRZ

8. Relation between Disable Input Voltage and Optical Output Power

Tdis Input Voltage	Optical Output Power
"L"(Vee ~ Vee+0.8V)	Enabled
"H"(Vee+2.0V ~ Vcc)	Disabled (<-45dBm)
Open	Enabled

9. Recommended Interface Circuit

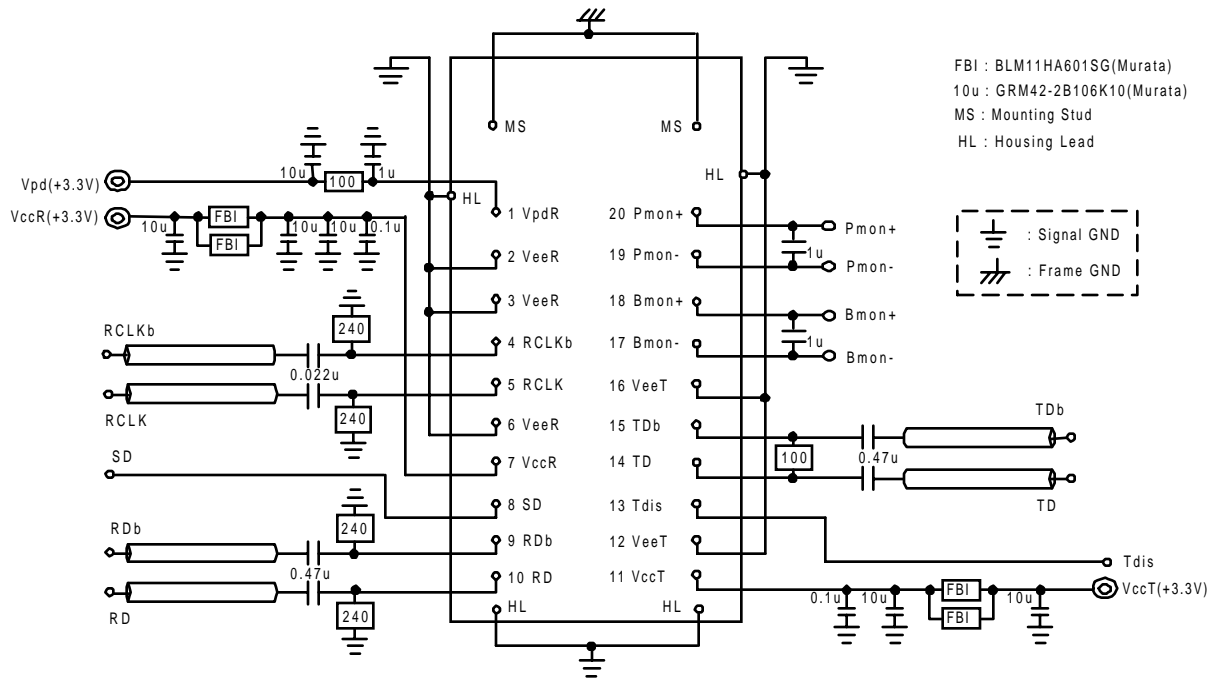


Figure 6. Recommended Interface Circuit

10. Reliability Test Program

GR-468-CORE Issue 1, December 1998 Laser Module

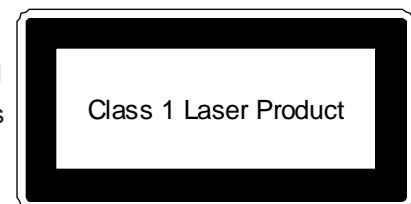
HEADING	TEST	REFERENCE	CONDITIONS	SAMPLING		
				LTPD	SS	C
Mechanical Integrity	Mechanical Shock	MIL-STD-883 Method 2002	5 times/axis 1,500G, 0.5ms	20	11	0
	Vibration	MIL-STD-883 Method 2007	Cond. A 20G, 20-2,000G Hz, 4min/cy, 4cy/axis	20	11	0
	Thermal Shock	MIL-STD-883 Method 1011	Delta T=100degC 0degC to 100degC	20	11	0
	Solderability	MIL-STD-883 Method 2003	(steam aging not required)	20	11	0
Endurance	Accel. Aging (High Temp.)	(R)-4-53 Section 5.18	85degC; rated power 1,000 hrs. for pass/fail 2,000, 5,000 hrs. for info.	-	25 10	-
	Low Temp. Storage	-	min, storage T 1,000 hrs. for pass/fail 2000 hrs. for info.	20	11	0
	Temperature Cycling	Section 5.20	-40degC to +85degC 500 for pass/fail 1,000 for info.	20 -	11 11	0 -
	Damp Heat	MIL-STD-202 Method 103 or IEC-68-2-3	85degC/85%RH 1,000hrs.	20	11	0
	Cyc. Moist., Res.	Sec. 5.23	-	20	11	0
Special Tests	Internal Moisture	MIL-STD-883 Method 1018	Max. 5,000ppm water vapour	20	11	0
	ESD Threshold	Section 5.22	-	-	6	-

SS : Sample Size

C : Maximum number of failure allowed to pass the test.

11. Laser Safety

This product uses a semiconductor laser system and is a laser class 1 product acc. FDA, complies with 21CFR 1040. 10 and 1040.11. Also this product is a laser class 1 product acc. IEC 825-1.



Caution






If this product is used under conditions not recommended in the specification or this product is used with unauthorized revision, classification for laser product safety standard is invalid. Classify the product again at your responsibility and take appropriate actions.



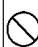
12. Other Precaution

Under such a strong vibration environment as in automobile, the performance and reliability are not guaranteed.

The governmental approval is required to export this product to other countries. To dispose of these components, the appropriate procedure should be taken to prevent illegal exportation.

This module must be handled, used and disposed of according to your company's safe working practice.

 Warning	
	Be sure to carry out correct soldering for connection to peripheral circuits in order to prevent contact failure or short-circuit. Otherwise, a strong laser beam may cause eye injury, overheating or fire.
	Do not put this product or components of this product into your mouth. This product contains material harmful to health.

 Caution	
	Be sure to turn the power off when you touch this product connected to the printed circuit boards. Otherwise, electric shock may occur.
	Dispose this product or equipment including this product properly as an industrial waste according to the regulations.

13. Ordering Information

Ordering Number	Connector Type	EMI Shield Finger Option	Operating Case Temperature
SCM6102-GL-ZN	LC Duplex Receptacle, Metallized	Without Finger	-5°C ~ 70°C
SCM6102-GL-CN	LC Duplex Receptacle, Metallized	With Type-C Finger	

14. For More Information

U.S.A.

Sumitomo Electric Lightwave Corp, 78 Alexander Drive, Research Triangle Park, NC 27709

Tel. +1-919-541-8100 / Fax. +1-919-541-8376

E-mail: info@sumitomoelectric.com

<http://www.sumitomoelectric.com/products/eop>

Europe

Sumitomo Electric Europe Ltd., 220, Centennial Park, Elstree, Herts, WD6 3SL, United Kingdom

Tel. +44-208-953-8681

Fax. +44-208-207-5950

Japan

Sumitomo Electric Industries, Ltd. (International Business Division), 3-12, Moto-Akasaka 1-chome
Minato-ku Tokyo 107-8468

Tel. +81-3-3423-5771 / Fax. +81-3-3423-5099

E-mail: product-info@ppd.sei.co.jp

<http://www.sei.co.jp/Electro-optic/index.html>